

# RTAA D MODEL

## EXTRUDED ALUMINUM DOUBLE DEFLECTION DRUM LOUVER



- For any type of area where it is impractical to have air ducts near the occupants and in where it is required to manage big volumes of air and long range throws.
- The scope and the vertical or horizontal direction of the throw can be adjusted through the rotary motion of the drum and pivoted blades
- Drum can rotate approximately 30° up or down the center line allowing an angular adjustment of the air stream of almost 60° (there may be variations)
- Grilles can be installed either horizontal or vertical position, providing unlimited application opportunities without location restrictions.
- One of the most affordable grilles to install in comparison with the majority of other type of air outlets, based on required grille sections of small air ducts.

**CONSTRUCTION:** Extruded aluminum.

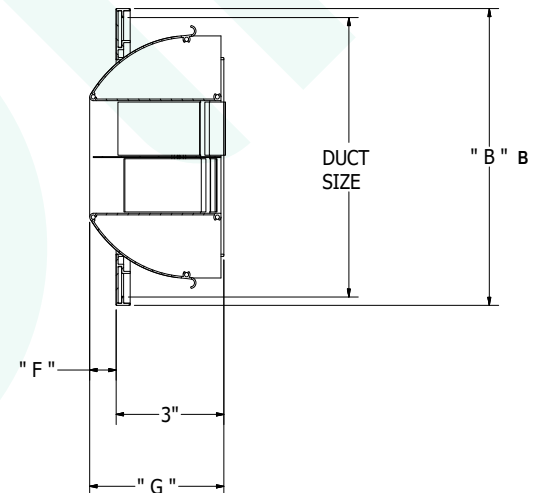
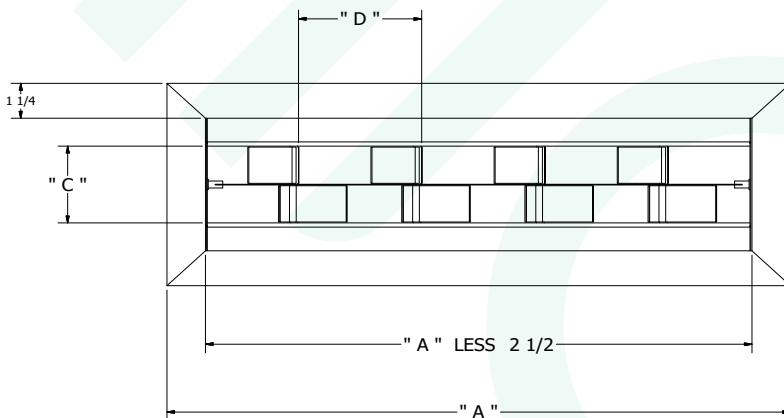
**FINISH:**

Standard white Anodic acrylic paint.  
Other colors available.

**VOLUMEN CONTROL:**

Can be shipped with volumen control of opposite blades (CO model), optional; The use of volume control, turns impractical when discharge velocity cause static pressures over .25" of water column.

## Dimensional Data



**RTAA MODEL NOMINAL MEASURE**

	SELECTED SIZE (INCHES)	MEASURE IN INCHES`							
		DUCT SIZE	A	B	C	D	E N° de Aletas	F	G
<b>RTAA - 8</b>	18 x 8	18-5/16 x 8-1/2	20-1/4	10 -1/4	4-1/4	3	5	1	4
	24 x 8	24-5/16 x 8-1/2	26-1/4	10 -1/4	4-1/4	3	7	1	4
	30 x 8	30-5/16 x 8-1/2	32-1/4	10 -1/4	4-1/4	3	9	1	4
	36 x 8	36-5/16 x 8-1/2	38-1/4	10 -1/4	4-1/4	3	11	1	4
	42 x 8	42-5/16 x 8-1/2	44-1/4	10 -1/4	4-1/4	3	13	1	4
	48 x 8	48-5/16 x 8-1/2	50-1/4	10 -1/4	4-1/4	3	15	1	4
	60 x 8	60-5/16 x 8-1/2	62-1/4	10 -1/4	4-1/4	3	19	1	4
<b>RTAA - 10</b>	20 x 10	20-3/8 x 10-1/2	22-5/16	11-3/4	5-1/2	5	3	2-1/4	5-1/4
	25 x 10	25-3/8 x 10-1/2	27-5/16	11-3/4	5-1/2	5	4	2-1/4	5-1/4
	30 x 10	30-3/8 x 10-1/2	32-5/16	11-3/4	5-1/2	5	5	2-1/4	5-1/4
	35 x 10	35-3/8 x 10-1/2	37-5/16	11-3/4	5-1/2	5	6	2-1/4	5-1/4
	40 x 10	40-3/8 x 10-1/2	42-5/16	11-3/4	5-1/2	5	7	2-1/4	5-1/4
	50 x 10	50-3/8 x 10-1/2	52-5/16	11-3/4	5-1/2	5	9	2-1/4	5-1/4
	60 x 10	60-3/8 x 10-1/2	62-5/16	11-3/4	5-1/2	5	11	2-1/4	5-1/4
<b>RTAA - 12</b>	20 x 12	20-5/16x12-1/2	22-1/2	13 -3/16	7	5	4	2-5/16	5-1/4
	30 x 12	30-5/16x12-1/2	32-1/2	14 -3/16	7	5	5	2-5/16	5-1/4
	40 x 12	40-5/16x12-1/2	42-1/2	14 -3/16	7	5	7	2-5/16	5-1/4
	50 x 12	50-5/16x12-1/2	52-1/2	14 -3/16	7	5	9	2-5/16	5-1/4
	60 x 12	60-5/16x12-1/2	62-1/2	14 -3/16	7	5	11	2-5/16	5-1/4
<b>RTAA - 15</b>	20 x 15	20-5/16x14-1/2	22-1/2	16-3/8	9-3/4	5	3	2-1/2	5-1/4
	25 x 15	25-5/16x14-1/2	27-1/2	16-3/8	9-3/4	5	4	2-1/2	5-1/4
	30 x 15	30-5/16x14-1/2	32-1/2	16-3/8	9-3/4	5	5	2-1/2	5-1/4
	36x15	36-5/16x14-1/2	38-1/2	16-3/8	9-3/4	5	6	2-1/2	5-1/4
	40 x 15	40-5/16x14-1/2	42-1/2	16-3/8	9-3/4	5	7	2-1/2	5-1/4
	50 x 15	50-5/16x14-1/2	52-1/2	16-3/8	9-3/4	5	9	2-1/2	5-1/4
	60 x 15	60-5/16x14-1/2	62-1/2	16-3/8	9-3/4	5	11	2-1/2	5-1/4
	70 x 15	70-5/16x14-1/2	74-1/4	16-3/8	9-3/4	5	13	2-1/2	5-1/4

**IMPORTANT:** Grilles are only manufactured in the vertical measurements indicated (6, 8, 10, 12 and 15) the horizontal measurements can vary.

**\*\* NOTE:** Due to our policy of continuous improvement and updating of our products, NAMM reserves the right to make the necessary changes when deemed appropriate.

# RTAA-8 MODEL

## DRUM LOUVER FACE DIFFUSER

TABLE 2 PERFORMANCE DATA

NOMINAL SIZE (IN.)	Vc/ NECK VELOCITY-Nv	NC   20					NC   30			
		300	400	500	600	700	800	900	1000	
		VEL. PRESSURE (in. H <sub>2</sub> O)	0.0056	0.0097	0.0155	0.0224	0.0305	0.0399	0.0504	0.0623
TOTAL PRESSURE (in.H <sub>2</sub> O)	<b>0.040</b>	<b>0.070</b>	<b>0.107</b>	<b>0.155</b>	<b>0.210</b>	<b>0.230</b>	<b>0.346</b>	<b>0.4.26</b>		
18 x 8 NA =1.08	CFM	<b>324</b>	<b>432</b>	<b>540</b>	<b>648</b>	<b>756</b>	<b>864</b>	<b>972</b>	<b>1080</b>	
	THROW (Feet)	12-16-25	15-20-31	18-23-35	21-26-38	23-28-42	25-32-47	26-34-49	30-37-51	
	NOISE CRITERIA (NC)	-	13	17	22	28	33	36	38	
24 x 8 NA = 1.44	CFM	<b>432</b>	<b>576</b>	<b>720</b>	<b>864</b>	<b>1008</b>	<b>1152</b>	<b>1296</b>	<b>1440</b>	
	THROW (Feet)	14-19-28	17-23-35	20-26-40	23-29-44	26-33-47	28-36-53	32-38-56	34-42-61	
	NOISE CRITERIA (NC)	13	15	20	25	29	34	37	42	
30 x 8 NA=1.79	CFM	<b>537</b>	<b>716</b>	<b>895</b>	<b>1074</b>	<b>1253</b>	<b>1432</b>	<b>1611</b>	<b>1790</b>	
	THROW (Feet)	18-23-35	20-26-39	23-31-43	26-34-50	30-37-56	34-40-60	37-44-63	40-47-70	
	NOISE CRITERIA (NC)	14	16	22	27	31	37	39	43	
36 x 8 NA=2.14	CFM	<b>642</b>	<b>856</b>	<b>1070</b>	<b>1284</b>	<b>1498</b>	<b>1712</b>	<b>1926</b>	<b>2140</b>	
	THROW (Feet)	21-26-40	23-29-45	27-35-50	30-37-57	34-41-64	36-45-70	41-48-74	44-53-80	
	NOISE CRITERIA (NC)	14	17	23	28	34	39	43	44	
42 x 8 NA=2.50	CFM	<b>750</b>	<b>1000</b>	<b>1250</b>	<b>1500</b>	<b>1750</b>	<b>2000</b>	<b>2250</b>	<b>2500</b>	
	THROW (Feet)	24-30-44	27-35-50	30-39-56	33-42-64	37-44-70	40-51-76	45-54-80	48-58-85	
	NOISE CRITERIA (NC)	15	18	24	29	36	42	44	46	
48 x 8 NA=2.85	CFM	<b>855</b>	<b>1140</b>	<b>1425</b>	<b>1710</b>	<b>1995</b>	<b>2280</b>	<b>2565</b>	<b>2850</b>	
	THROW (Feet)	27-34-48	30-39-55	33-42-60	38-47-69	42-51-75	45-55-80	49-59-85	53-62-91	
	NOISE CRITERIA (NC)	15	19	25	31	37	43	45	47	
60 x 8 NA=3.56	CFM	<b>1068</b>	<b>1424</b>	<b>1780</b>	<b>2136</b>	<b>2492</b>	<b>2848</b>	<b>3204</b>	<b>3560</b>	
	THROW (Feet)	29-37-52	34-42-60	38-46-66	43-53-75	47-56-82	50-61-87	53-66-93	58-70-100	
	NOISE CRITERIA (NC)	16	21	26	32	37	45	46	48	

**NOTES:**

- 1- CFM IS AIR FLOW IN CUBIC FEET PER MINUTE.
- 2- NC IS NOISE CRITERIA BASED ON 10 db ROOM ABSORPTION (Re:10-12 WATTS.)
- 3- THROW DATA IS BASED ON ISOTHERMAL MIXED AIR AT 150, 100 & 50 FEET PER MINUTE TERMINAL VELOCITIES RESPECTIVELY.
- 4- NA IS NECK AREA IN SQUARE FEET.
- 5- NV IS NECK VELOCITY IN FEET PER MINUTE.

# RTAA-10 MODEL

## DRUM LOUVER FACE DIFFUSER

TABLE 3 PERFORMANCE DATA

NOMINAL SIZE (IN.)	Vc/ NECK VELOCITY-Nv	NC 20		NC 30		NC 40		900	1000
		300	400	500	600	700	800		
	VEL. PRESSURE (in. H <sub>2</sub> O)	0.0056	0.0097	0.0155	0.0224	0.0305	0.0399	0.0504	0.0623
	TOTAL PRESSURE (in.H <sub>2</sub> O)	<b>0.032</b>	<b>0.057</b>	<b>0.085</b>	<b>0.125</b>	<b>0.170</b>	<b>0.221</b>	<b>0.280</b>	<b>0.342</b>
16x10 NA=1.09	<b>CFM</b>	<b>348</b>	<b>464</b>	<b>580</b>	<b>696</b>	<b>812</b>	<b>928</b>	<b>1044</b>	<b>1160</b>
	THROW (Feet)	16-25-30	23-26-39	26-30-44	28-34-46	30-36-49	33-40-57	34-42-60	37-45-63
	NOISE CRITERIA (NC)	11	14	19	24	30	36	40	41
20x10 NA=1.45	<b>CFM</b>	<b>435</b>	<b>580</b>	<b>725</b>	<b>870</b>	<b>1015</b>	<b>1160</b>	<b>1305</b>	<b>1450</b>
	THROW (Feet)	18-27-35	24-28-42	27-32-47	30-36-50	32-39-53	35-43-62	36-45-64	40-48-67
	NOISE CRITERIA (NC)	12	15	21	26	32	37	41	42
25x10 NA=1.81	<b>CFM</b>	<b>543</b>	<b>724</b>	<b>905</b>	<b>1086</b>	<b>1267</b>	<b>1448</b>	<b>1629</b>	<b>1810</b>
	THROW (Feet)	20-28-40	25-30-45	28-34-50	32-38-55	34-42-57	37-46-68	42-48-72	44-52-80
	NOISE CRITERIA (NC)	13	16	23	28	34	38	42	43
30x10 NA=2.17	<b>CFM</b>	<b>651</b>	<b>868</b>	<b>1085</b>	<b>1302</b>	<b>1519</b>	<b>1736</b>	<b>1953</b>	<b>2170</b>
	THROW (Feet)	26-32-46	27-34-48	29-36-53	35-42-62	38-45-70	42-50-76	46-54-80	49-59-90
	NOISE CRITERIA (NC)	14	17	25	31	36	42	43	44
35x10 NA=2.53	<b>CFM</b>	<b>759</b>	<b>1012</b>	<b>1265</b>	<b>1518</b>	<b>1771</b>	<b>2024</b>	<b>2277</b>	<b>2530</b>
	THROW (Feet)	28-34-50	29-35-55	33-42-60	37-45-71	41-50-80	45-54-89	49-59-94	54-64-102
	NOISE CRITERIA (NC)	15	18	25	32	37	43	44	45
40x10 NA=2.89	<b>CFM</b>	<b>867</b>	<b>1156</b>	<b>1445</b>	<b>1734</b>	<b>2023</b>	<b>2312</b>	<b>2601</b>	<b>2890</b>
	THROW (Feet)	30-38-54	32-44-58	34-47-68	39-48-78	44-53-86	48-60-94	53-65-98	58-70-104
	NOISE CRITERIA (NC)	15	19	26	33	38	44	45	46
50x10 NA=3.60	<b>CFM</b>	<b>1080</b>	<b>1440</b>	<b>1800</b>	<b>2160</b>	<b>2520</b>	<b>2880</b>	<b>3240</b>	<b>3600</b>
	THROW (Feet)	33-41-58	37-47-65	40-51-73	46-56-84	51-61-91	55-67-98	58-70-104	60-74-110
	NOISE CRITERIA (NC)	16	19	27	36	38	45	46	47
60x10 NA=4.32	<b>CFM</b>	<b>1296</b>	<b>1728</b>	<b>2160</b>	<b>2592</b>	<b>3024</b>	<b>3456</b>	<b>3888</b>	<b>4320</b>
	THROW (Feet)	36-44-62	42-50-72	46-56-78	52-64-90	58-68-98	61-74-106	63-80-114	70-84-120
	NOISE CRITERIA (NC)	17	22	28	37	39	45	46	48

**NOTES:**

- 1- CFM IS AIR FLOW IN CUBIC FEET PER MINUTE.
- 2- NC IS NOISE CRITERIA BASED ON 10 db ROOM ABSORPTION (Re:10-12 WATTS.)
- 3- THROW DATA IS BASED ON ISOTHERMAL MIXED AIR AT 150, 100 & 50 FEET PER MINUTE TERMINAL VELOCITIES RESPECTIVELY.
- 4- NA IS NECK AREA IN SQUARE FEET.
- 5- NV IS NECK VELOCITY IN FEET PER MINUTE.

# RTAA-12 MODEL

## DRUM LOUVER FACE DIFFUSER

TABLE 4 PERFORMANCE DATA

NOMINAL SIZE (IN.)	Vc/ NECK VELOCITY-Nv	NC   20			NC   30			NC   40	
		300	400	500	600	700	800	900	1000
20 x 12 NA= 1.74	VEL. PRESSURE (in. H <sub>2</sub> O)	0.0056	0.0097	0.0155	0.0224	0.0305	0.0399	0.0504	0.0623
	TOTAL PRESSURE (in.H <sub>2</sub> O)	<b>0.031</b>	<b>0.051</b>	<b>0.083</b>	<b>0.117</b>	<b>0.160</b>	<b>0.206</b>	<b>0.260</b>	<b>0.320</b>
	CFM	<b>522</b>	<b>696</b>	<b>870</b>	<b>1044</b>	<b>1218</b>	<b>1392</b>	<b>1566</b>	<b>1740</b>
30 x 12 NA= 2.59	THROW (Feet)	22-28-40	25-32-45	30-36-50	35-40-55	37-45-60	39-50-65	41-52-70	42-54-75
	NOISE CRITERIA (NC)	10	14	21	27	32	35	37	43
	CFM	<b>777</b>	<b>1036</b>	<b>1295</b>	<b>1554</b>	<b>1813</b>	<b>2072</b>	<b>2331</b>	<b>2590</b>
40 x 12 NA= 3.45	THROW (Feet)	26-35-49	31-40-55	37-45-63	40-49-68	43-53-73	47-58-79	49-61-84	52-64-89
	NOISE CRITERIA (NC)	13	16	23	28	34	37	39	45
	CFM	<b>1035</b>	<b>1380</b>	<b>1725</b>	<b>2070</b>	<b>2415</b>	<b>2760</b>	<b>3105</b>	<b>3450</b>
50 x 12 NA= 4.30	THROW (Feet)	30-42-58	37-48-66	44-54-76	45-58-80	50-62-86	55-66-92	58-70-98	62-74-104
	NOISE CRITERIA (NC)	14	18	24	29	36	39	43	46
	CFM	<b>1290</b>	<b>1720</b>	<b>2150</b>	<b>2580</b>	<b>3010</b>	<b>3440</b>	<b>3870</b>	<b>4300</b>
60 x 12 NA= 5.16	THROW (Feet)	36-48-66	42-54-74	48-61-85	50-66-92	57-70-99	63-74-105	65-80-112	70-84-119
	NOISE CRITERIA (NC)	15	19	26	32	38	40	45	48
	CFM	<b>1548</b>	<b>2064</b>	<b>2580</b>	<b>3096</b>	<b>3612</b>	<b>4128</b>	<b>4644</b>	<b>5160</b>
60 x 12 NA= 5.16	THROW (Feet)	42-54-74	47-60-82	52-68-94	55-74-104	64-76-112	68-82-118	72-90-126	78-94-134
	NOISE CRITERIA (NC)	17	21	26	33	39	45	48	50

**NOTES:**

- 1- CFM IS AIR FLOW IN CUBIC FEET PER MINUTE.
- 2- NC IS NOISE CRITERIA BASED ON 10 db ROOM ABSORPTION (Re:10-12 WATTS.)
- 3- THROW DATA IS BASED ON ISOTHERMAL MIXED AIR AT 150, 100 & 50 FEET PER MINUTE TERMINAL VELOCITIES RESPECTIVELY.
- 4- NA IS NECK AREA IN SQUARE FEET.
- 5- NV IS NECK VELOCITY IN FEET PER MINUTE.

## DRUM LOUVER FACE DIFFUSER TABLE 5 PERFORMANCE DATA

NOMINAL SIZE (IN.)	Vc/ NECK VELOCITY-Nv	NC  20				NC  30			
		300	400	500	600	700	800	900	1000
	VEL. PRESSURE (in. H <sub>2</sub> O )	0.0056	0.0097	0.0155	0.0224	0.0305	0.0399	0.0504	0.0623
	TOTAL PRESSURE (in.H <sub>2</sub> O)	<b>0.026</b>	<b>0.043</b>	<b>0.068</b>	<b>0.100</b>	<b>0.134</b>	<b>0.176</b>	<b>0.220</b>	<b>0.271</b>
20 x 15 NA= 2.13	<b>CFM</b>	<b>639</b>	<b>851</b>	<b>1064</b>	<b>1277</b>	<b>1490</b>	<b>1703</b>	<b>1916</b>	<b>2129</b>
	THROW (Feet)	30-38-63	33-43-67	39-49-72	43-56-78	48-60-83	56-68-96	60-73-110	68-82-1
	NOISE CRITERIA (NC)	13	16	19	26	29	33	36	39
25 x 15 NA= 2.66	<b>CFM</b>	<b>798</b>	<b>1064</b>	<b>1330</b>	<b>1596</b>	<b>1862</b>	<b>2128</b>	<b>2394</b>	<b>2660</b>
	THROW (Feet)	33-43-67	39-50-70	43-56-78	50-62-84	56-67-95	60-73-110	67-80-116	72-85-122
	NOISE CRITERIA (NC)	14	17	19	27	30	34	37	44
30 x 15 NA= 3.19	<b>CFM</b>	<b>958</b>	<b>1277</b>	<b>1596</b>	<b>1916</b>	<b>2235</b>	<b>2554</b>	<b>2874</b>	<b>3192</b>
	THROW (Feet)	33-43-70	43-56-78	50-62-84	56-67-95	60-73-110	67-80-116	70-84-122	75-90-127
	NOISE CRITERIA (NC)	15	19	23	28	33	36	38	46
36 x 15 NA= 3.66	<b>CFM</b>	<b>1098</b>	<b>1464</b>	<b>1830</b>	<b>2196</b>	<b>2562</b>	<b>2928</b>	<b>3294</b>	<b>3660</b>
	THROW (Feet)	37-48-73	46-59-83	54-66-90	58-70-100	64-76-115	69-83-119	72-88-126	77-93-132
	NOISE CRITERIA (NC)	15	20	24	29	33	37	38	46
40 x 15 NA= 4.25	<b>CFM</b>	<b>1277</b>	<b>1703</b>	<b>2129</b>	<b>2554</b>	<b>2980</b>	<b>3406</b>	<b>3831</b>	<b>4257</b>
	THROW (Feet)	43-54-75	50-62-86	56-69-96	60-73-108	67-81-117	72-85-123	75-91-129	79-97-137
	NOISE CRITERIA (NC)	16	20	24	29	34	37	39	47
50 x 15 NA= 5.31	<b>CFM</b>	<b>1594</b>	<b>2125</b>	<b>2656</b>	<b>3188</b>	<b>3719</b>	<b>4250</b>	<b>4781</b>	<b>5313</b>
	THROW (Feet)	46-56-79	53-64-91	59-72-102	64-79-112	70-85-121	74-91-129	79-97-137	83-102-144
	NOISE CRITERIA (NC)	17	21	25	30	35	38	42	48
60 x 15 NA= 6.38	<b>CFM</b>	<b>1914</b>	<b>2552</b>	<b>3190</b>	<b>3828</b>	<b>4466</b>	<b>5104</b>	<b>5742</b>	<b>6380</b>
	THROW (Feet)	48-59-81	56-67-96	62-75-105	66-81-115	73-88-124	77-94-136	83-100-144	86-108-147
	NOISE CRITERIA (NC)	18	22	26	31	37	39	43	49
70 x 15 NA= 7.45	<b>CFM</b>	<b>2235</b>	<b>2980</b>	<b>3725</b>	<b>4470</b>	<b>5215</b>	<b>5960</b>	<b>6705</b>	<b>7450</b>
	THROW (Feet)	50-65-84	58-70-100	64-77-108	68-83-118	75-90-128	79-97-139	85-104-148	88-1
	NOISE CRITERIA (NC)	19	23	27	32	41	42	45	51

### NOTES:

- 1- **CFM** IS AIR FLOW IN CUBIC FEET PER MINUTE.
- 2- **NC** IS NOISE CRITERIA BASED ON 10 db ROOM ABSORPTION (Re:10-12 WATTS.)
- 3- **THROW** DATA IS BASED ON ISOTHERMAL MIXED AIR AT **150, 100 & 50** FEET PER MINUTE TERMINAL VELOCITIES RESPECTIVELY.
- 4- **NA** IS NECK AREA IN SQUARE FEET.
- 5- **NV** IS NECK VELOCITY IN FEET PER MINUTE.